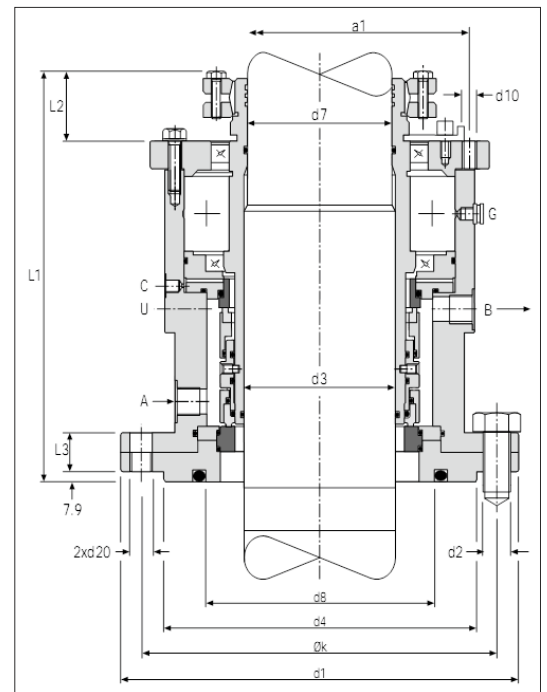


SEALMIX-2



- p= ..6
- t= -50...250°C
- v=0..4 /



- , FKM (V)
- (P)
- , EPDM (E)
- (K)
- C
- , FEP (M)

d3	d7	d1	nxd2	d4	d8	Øk	L1	L2	d10	d20	A,B	C	U	L3	a1
30, 33, 35, 38	-	175	4x18	110	95	145	210	33.5	M12	M16	G3/8	G1/8	G1/2	28	109.5
40	38	175	4x18	110	95	145	210	33.5	M12	M16	G3/8	G1/8	G1/2	28	109.5
43, 45, 48	-	240	8x18	176	107	210	215	33.5	M12	M16	G3/8	G1/8	G1/2	28	133
50	48	240	8x18	176	107	210	215	33.5	M12	M16	G3/8	G1/8	G1/2	28	133
53, 55, 58	-	240	8x18	176	121	210	225	33.5	M12	M16	G3/8	G1/8	G1/2	35	146
60	58	240	8x18	176	121	210	225	33.5	M12	M16	G3/8	G1/8	G1/2	35	146
63, 65, 68, 70, 75	-	275	8x22	204	150	240	265	45	M16	M20	G1/2	G1/8	G1/2	40	190
80	78	275	8x22	204	150	240	265	45	M16	M20	G1/2	G1/8	G1/2	40	190
85, 90, 95	-	305	8x22	234	174	270	270	45	M16	M20	G1/2	G1/8	G1/2	40	220
100	98	305	8x22	234	174	270	270	45	M16	M20	G1/2	G1/8	G1/2	40	220
105, 110, 115, 120	-	330	8x22	260	200	295	312	45	M20	M20	G1/2	G1/8	G1/2	40	249
125	120	330	8x22	260	200	295	312	45	M20	M20	G1/2	G1/8	G1/2	40	249
130, 135	-	395	12x22	313	219	350	318	52	M20	M20	G1/2	G1/8	G1/2	22	264
140	135	395	12x22	313	219	350	318	52	M20	M20	G1/2	G1/8	G1/2	22	264
145, 150, 155	-	395	12x22	313	219	350	318	52	M20	M20	G1/2	G1/8	G1/2	44	304
160	150	395	12x22	313	238	350	345	52	M20	M20	G1/2	G1/8	G1/2	44	304