

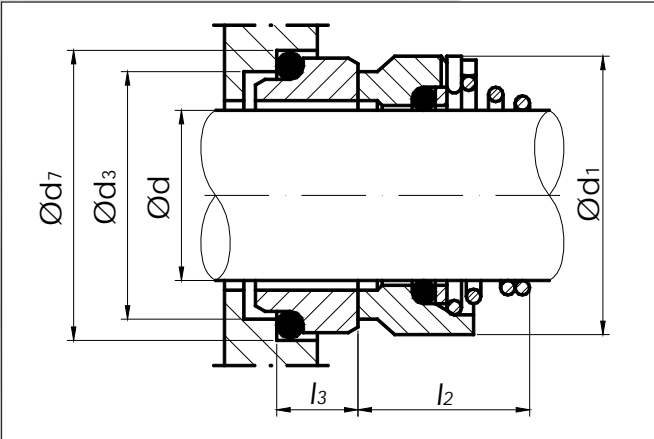
# NT-1

DIN 24960



-  
,  
,  
,  
,  
,  
,  
,  
,  
,  
,  
,  
,  
DIN 24960  
(EN12756)

;  
:  
- (A, B)  
:  
-  
- (U<sub>3</sub>)  
- (Q<sub>1</sub>, Q<sub>2</sub>)  
- Al<sub>2</sub>O<sub>3</sub> (V)  
:  
- p = 10  
- t = -20... 180 °C  
- v = 15 /  
±1



d	d <sub>1</sub>	d <sub>3</sub>	d <sub>7</sub>	l <sub>2</sub>	l <sub>3</sub>
10	20	17	21	17	10
12	22	19	23	17	10
14	25	21	25	17	10
16	26	23	27	19	10
18	32	27	33	20	11
20	34	29	35	22	11
22	36	31	37	22	11
24	38	33	39	24	11
25	39	34	40	27	11
28	42	37	43	27	11
30	44	39	45	28	11