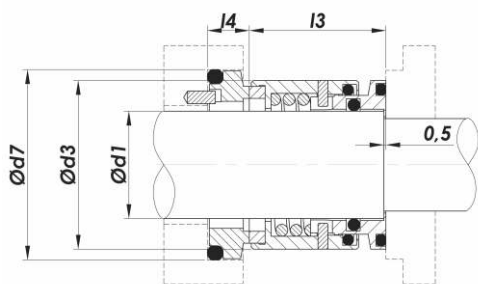
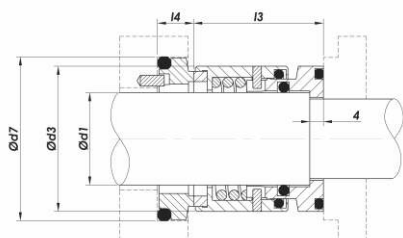


BT2V01



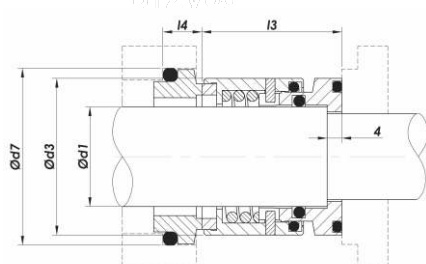
d_1	d_3	d_7	l_3	l_4
28	43,0	48	34,5	10,5
38	52,8	57	35,0	10,5

BT2V02



d_1	d_3	d_7	l_3	l_4
28	43,0	48	38,0	10,5

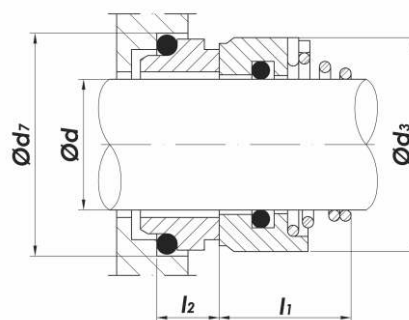
BT2V03



d_1	d_3	d_7	l_3	l_4
19	33,5	31	29,0	8,0
28	40,0	43	33,0	9,0
38	52,0	60,5	43,0	11,5

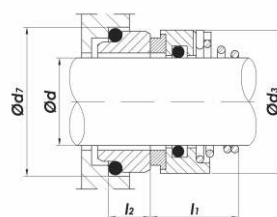


NT HG



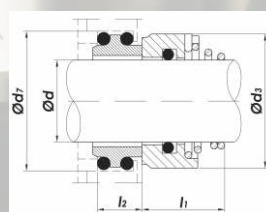
d_1	d_3	d_7	l_1	l_2
19	31,0	30,9	25,0	8,0
28	40,0	43,3	29,0	9,0
30	43,0	45,0	31,5	11,0
38	53,0	60,5	39,0	11,5
40	56,0	58,0	33,5	11,5
50	66,0	70,0	33,5	14,0

NT HG2



d_1	d_3	d_7	l_1	l_2	l_{11}	l_{21}
19	31	35	20,0	9,5	22,0	7,5
28	40	42	24,5	11,0	26,5	9,0
30	43	45	24,5	11,0	25,0	10,5
38	53	55	31,0	11,5	32,2	11,3
40	56	58	34,0	11,5	34,7	11,8
50	66	70	43,5	14	45,7	11,6

NT HG STX



d	d_3	d_7	l_1	l_2
19	31	35,0	20,0	15,0
28	40	41,3	24,5	15,5